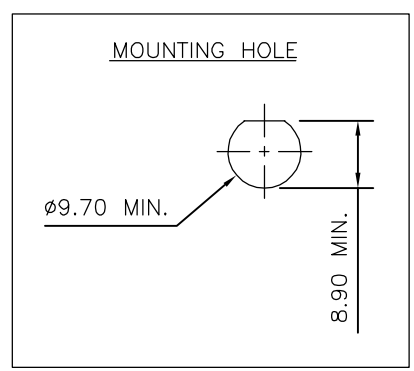
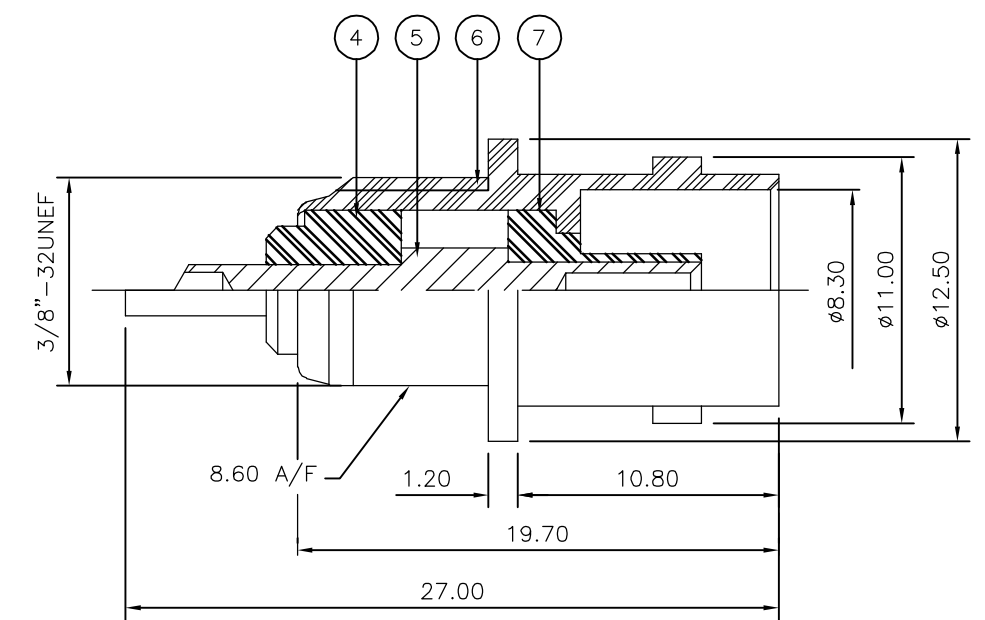
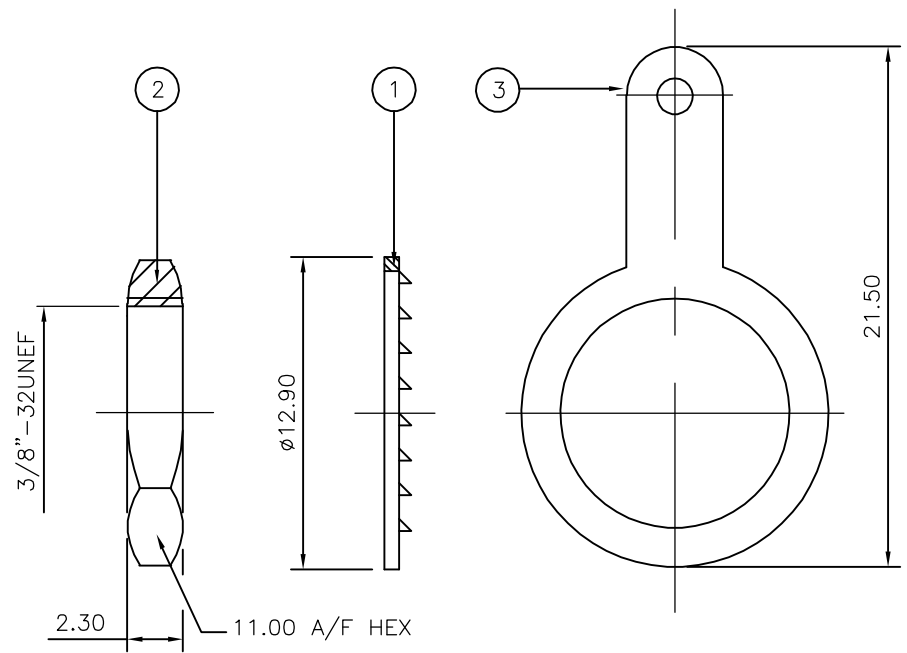


THIS DRAWING IS UNPUBLISHED. RELEASED FOR PUBLICATION JUNE ,2006.  
 © COPYRIGHT 2006 BY TYCO ELECTRONICS CORPORATION. ALL RIGHTS RESERVED.

LOC	DIST	REVISIONS					
E	B	P	LTR	DESCRIPTION	DATE	DWN	APVD
			B	ECR-06-013423	14JUN06	RS	FWK

- NOTES:
- 1 PACK IN ACCORDANCE WITH AMP SPEC 107-3275
  - 2 100 TRAY PACK IN ACCORDANCE WITH AMP SPEC 107-3275
  - 3 Au PLATING
  - 4 Ni PLATING
- 5 ELECTRICAL CHARACTERISTICS  
 FREQUENCY RANGE: DC - 2 GHz  
 NOMINAL IMPEDANCE: 75 Ohm  
 INSULATION RESISTANCE: 5000 MOhm  
 WORKING VOLTAGE: 500 Volts RMS at Sea Level  
 DIELECTRIC WITHSTAND VOLTAGE: 1500 Volts RMS Max  
 CONTACT RESISTANCE:  
 CENTRE CONTACT: 1.50 mOhm Max  
 OUTER CONTACT: 0.20 mOhm Max  
 VSWR @ xGHz: N/A  
 INSERTION LOSS xdb: N/A
- 6 MECHANICAL CHARATERISTICS  
 COUPLING RETENTION FORCE: N/A  
 CABLE RETENTION FORCE: N/A  
 MOUNT NUT RECOMMENDED TORQUE: 2.5N  
 DURABILITY: 500 Cycles Min
- 7 ENVIRONMENTAL CHARACTERISTICS  
 OPERATING TEMPERATURE: -65 to +165 DegC
- 8 FOR TECHNICAL DATA REFER TO YOUR LOCAL TYCO ELECTRONICS SALES OFFICE
- 9 ALL DIMENSIONS ARE NOMINAL FOR REFERENCE ONLY UNLESS OTHERWISE STATED



QTY	QTY	MATERIAL	DESCRIPTION	ITEM
1	1	PTFE	INSULATION	7
1	1	BRASS	BODY	6
1	1	BRASS	CONTACT	5
1	1	PTFE	INSULATION	4
1	1	BRASS	SOLDER TAG	3
1	1	BRASS	HEX NUT	2
1	1	STEEL	LOCKWASHER	1
6--0	1--0	MATERIAL	DESCRIPTION	ITEM

THIS DRAWING IS A CONTROLLED DOCUMENT.		DWN J.SANDWELL 14JUN06	Tyco Electronics Corporation Bideford EX39 4HE	
DIMENSIONS: mm	TOLERANCES UNLESS OTHERWISE SPECIFIED:	CHK S.PARLOW 14JUN06	NAME BNC BULKHEAD SOCKET FRONT MOUNT + TAG 75 OHM	
	0 PLC ± -	APVD F.WHEELER-KING 14JUN06	PRODUCT SPEC	SIZE A3
	1 PLC ± -	PRODUCT SPEC	APPLICATION SPEC	CAGE CODE 00779
	2 PLC ± -	APPLICATION SPEC	WEIGHT	DRAWING NO C-1478049
	3 PLC ± -	WEIGHT	CUSTOMER DRAWING	RESTRICTED TO
	4 PLC ± -	CUSTOMER DRAWING	SCALE NTS	SHEET 1 OF 1
MATERIAL SEE TABLE	FINISH -	SCALE NTS	SHEET 1 OF 1	REV B